

Who We Are

Over 25 years experience through 4 market cycles as:

- MD's Head of Business Units and Country Activities
- Head of Commercial Bank Bank Activities
- Head of Private Equity Activities and Board Advisory Committee Members
- Negotiated, structured and arranged large international financing deals
- Managing Industrial Groups operating with factories in 3 Countries
- Managing director in some of Italy's most relevant industrial Groups

Board Members

fp.sandrelli@sagittafin.com

Michele Vitali
michele.vitali@sagittafin.com



Our Principles

Professionalism

- Do it if it can be done, but no false hopes
- Strict Confidentiality
- Sound judgement and risk management

Independence

- Our clients objectives prevail

Keep it Simple

- Hard work and our experience leads us to believe in a "hands-on - no frills" approach.
- Clear communication is essential.

Add Value

- Make the most of our experience, contacts, technical sophistication and negotiation ability but only if it adds value to client objectives.

Close

- Ideas are good, but results are what it is all about!



Our Experience

Individual Milestone Deals

- First Multi-Option Syndicated Loan Facility in Italy
 - Export Finance deals according to "Italian Ex-In bank" scheme: 9 large "turn-key" power plants, & petrochemical plants as Lead Arranger in Asia, Middle East, Americas, Northern Africa.
 - IPO: First Capital Stock Increase via a Right Issue ever arranged by a Foreign Bank in Italy on "solo" basis.
 - Aircraft Finance: First Buyer Credit on 5 airplanes structured as medium term L/C a M/T, with Italian SACE insurance, re-insured by other Export Credit Agencies.
 - Several "multi-sourcing" project finance deals for Power Plants in Middle East and Italy.
 - Media and Telecom finance: 5 Jumbo deals as Mandated Lead Arranger and Agent for the second "convergent" Italian operator from € 2,4 Bn ("Deal of the Year" for Euromoney in 2001) to € 5,5 Bn for the "UMTS network" in 2002.
- 
- Private Equity deals, structured and managed from both sides; as institutional investor and as Industrialist selling a minority stake.
 - Advisor and Board Member on behalf of a Regional Development Bank for Italy's Hottest IPO of 2005; won "Premio AIFI-Dematté" granted to the best deal 2006 in the "Early Stage Venture Capital".

Our Services

Advisory, Financing...and more

Advisory:

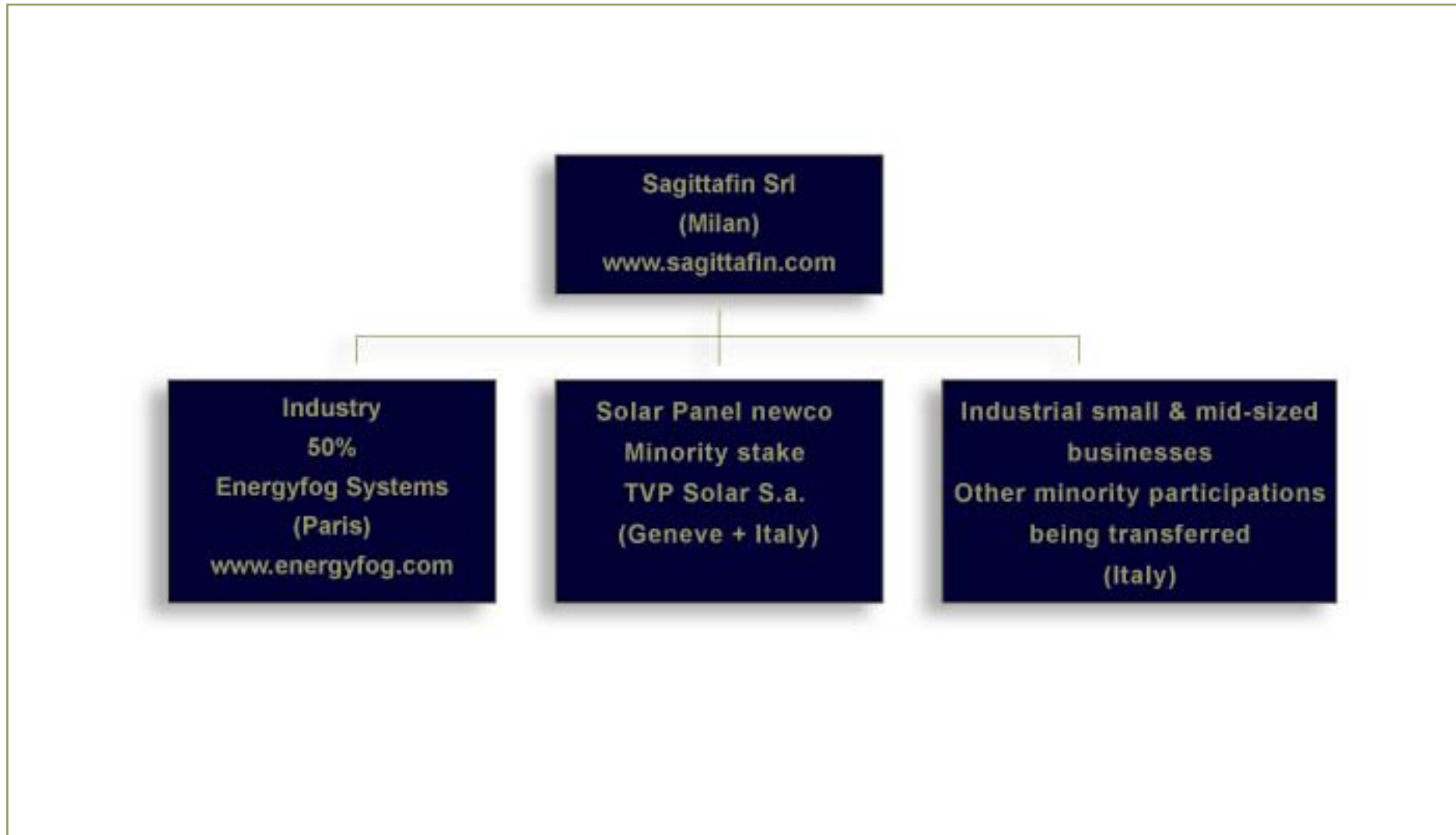
- Assist clients to purchase, sell, restructure assets and Companies: industrial, corporate.
- Support in negotiations with corporate, financial or institutional counterparts including regulatory authorities.
- Provide managerial, operational skills and experience to enhance solutions and counterpart credibility.
- Develop and implement corporate organisations and management structures.
- Advise clients in developing and expanding industrial projects and technologies.

Financing...and more:

- Assist clients to develop and implement financial structures for investments; re-leveraging.
- Integrate solutions with client's specific fiscal and legal requirements.
- Optimize capital structure with preferred access to equity and mezzanine capital and debt finance from both domestic and international banks.



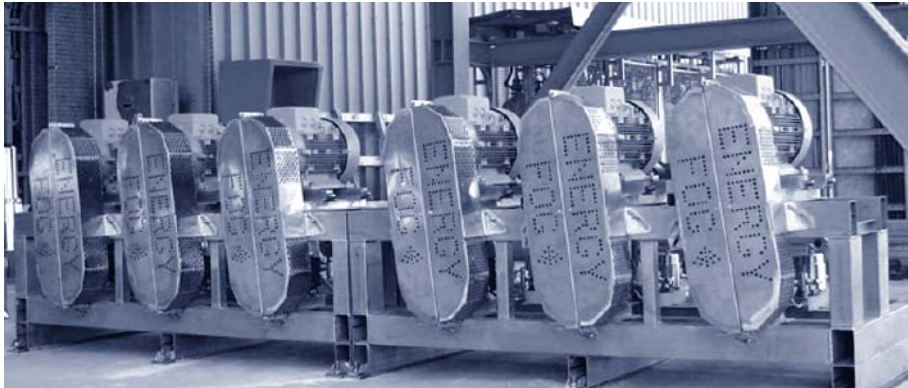
Our Affiliated Co's



Our Affiliated Co's

"Early Stage" Venture Capital

July 2008 Sagittafin acquires 50 % of capital of EnergyFog Systems ®

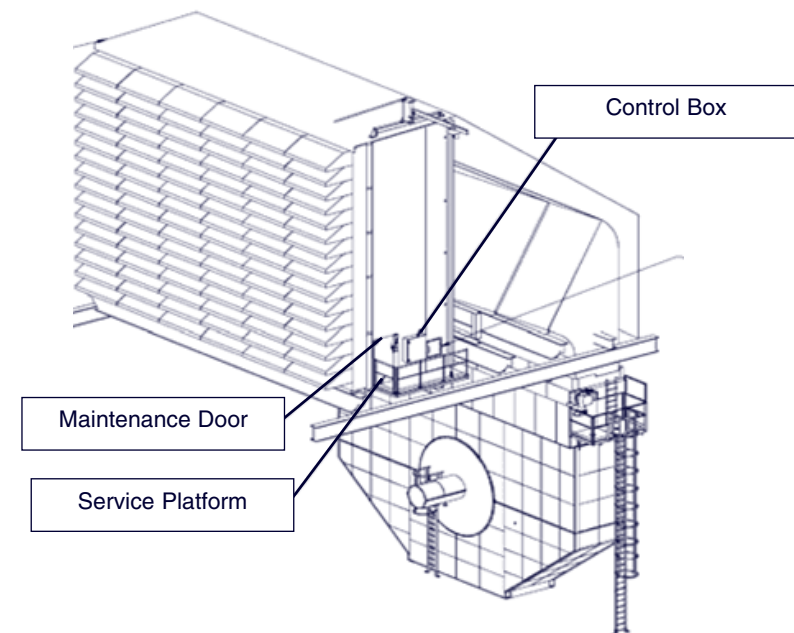


Specifically developed for gas-fed turbine power stations located in mild/hot-weather countries, EnergyFog Systems provides the most cost effective technique to recover lost gas turbine capacity through "adiabatic cooling" of the gas turbine inlet air.



First 17 equipments have already been installed with performance exceeding technical specifications.

Sagittafin will also advise the Italian shareholder in developing Energyfog (Paris) into a world-class player



Contact Us

SAGITTAFIN S.r.l

Viale Filippetti
28 – 20122
Milano

Tel: +39 02 78 62 39 26 or ext 27 or ext. 28

Email: fp.sandrelli@sagittafin.com

michele.vitali@sagittafin.com



Legal information

Office

Viale Filippetti 28 – 20122 Milano
(close to “Porta Romana” underground station M3)
Tel: +39 02 78 62 39 26 or ext 27 or ext. 28
fax +39 02 91390897

SAGITTAFIN S.r.l. Legal Seat : Via Leone XIII n.14 - 20145 Milano
(Italy) Milan Chamber of Commerce number : 03291800138
REA number (Electronic Enterprise Register): MI - 1963369
Italian VAT number: 03291800138